



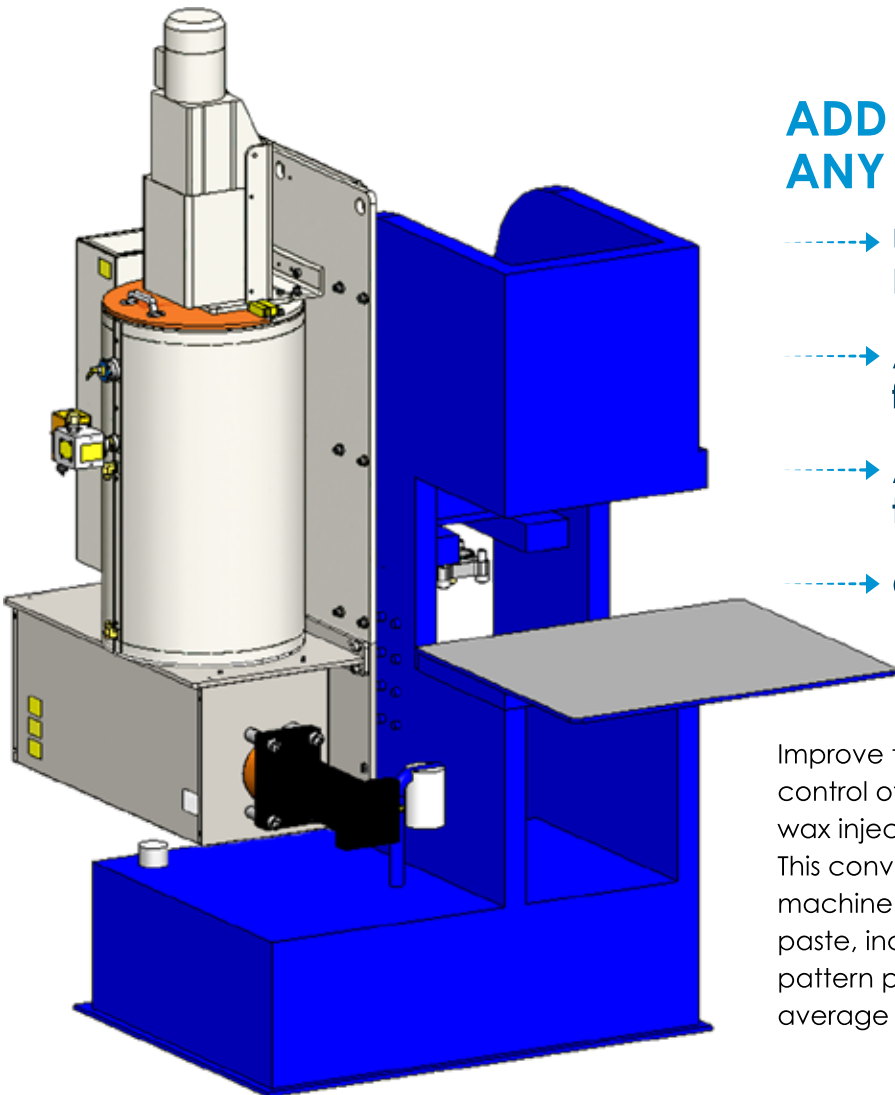
C-FRAME CONVERSION SHOWN

# PASTE CONVERSION

MPI 11-3

# MPI 11-3

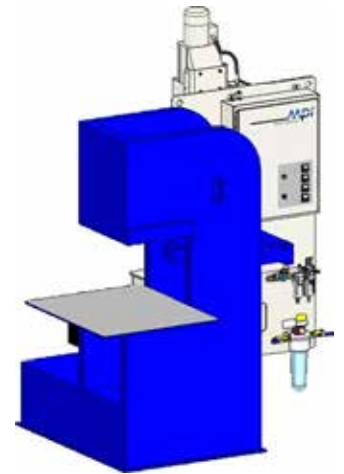
## Paste Conversion



### ADD PASTE INJECTION TO ANY WAX INJECTOR

- > Upgrade your injector to MPI's Paste Wax Injection System
- > Accurately controls wax temperature for unsurpassed pattern quality
- > A cost-effective alternative to replacing your entire machine
- > Converts any type of injector

Improve the process control of your existing wax injection machine. This converts any injection machine from liquid to paste, increases wax pattern productivity an average of 100%



DS-11-3 Paste-Conversion-07-25-22

## Innovative Features & Options:



### MPI'S PASTE INJECTION SYSTEM

- Wax Conditioning unit accurately conditions wax to any viscosity from liquid to paste
- The most accurate wax temperature control available on the market ( $\pm 2^{\circ}\text{F}$   $\pm 1^{\circ}\text{C}$ )

### INTERFACES TO THE CONTROLS OF THE EXISTING MACHINE

- Adapts to any hydraulic system

### INJECTION CYLINDER CAPACITIES

- 150 in.<sup>3</sup> (2.4l) single shot capacity
- 400 in.<sup>3</sup> (6.5l) single shot capacity
- 1130 in.<sup>3</sup> (18.5l) single shot capacity

### OPTIONS

- Wax refill valve
- Wax melter, machine mounted
- Wax melter with vacuum pellet loader, machine mounted
- Nozzle Positioner and Flex Noz<sup>®</sup> Injection Nozzle

CALL MPI FOR A SOLUTION DESIGNED FOR YOUR MACHINE • (845) 471-7630



# LIMITLESS POSSIBILITIES



## EXPERIENCE THE DIFFERENCE

MPI is the worldwide leader in wax-room and ceramic core equipment and the acknowledged leader in wax-room innovations. MPI has developed and introduced more systems and products than all its competitors combined and offers wax-room solutions that can't be found anywhere else.

### WAX INJECTORS

MPI's wax and ceramic injection machines are the most sophisticated in the industry and generate higher casting yields, more patterns per hour, reduced scrap, and increased productivity. They're also the most reliable in the industry, which means higher system availability, lower maintenance costs, and better performance.

### AUTOMATION

MPI is at the forefront of automation, having automated some of the most complex processes in the investment casting industry for well over a decade. MPI's automated injection and assembly cells provide the capability to make and assemble wax patterns from the simplest commercial parts to complex patterns required by the medical and aerospace turbine blades. MPI can automate a single process or implement full-scale automation for your facility.



SA55-25-24  
C-Frame Wax Injector



SA20-06-06  
Automated Pattern Injection Cell

## MPI TECHNOLOGY CENTER

MPI is at its best when it can innovate. MPI prides itself at being able to look at problems and then customize solutions that help clients achieve their goals. The MPI Technology Center is a state-of-the-art wax room that allows MPI to do just that. Located at MPI's world headquarters in New York, the Technology Center is a hub of innovation, ingenuity, and problem solving. Customers and suppliers visit this sophisticated facility to discover new ways to solve their unique wax-room challenges and to experience a totally automated facility in full operation.

## MPI EXCELS

Most important, return on investment (ROI) is where MPI excels. MPI supports its customers' bottom line with creative, customized products and services that fit their evolving needs. Through collaboration, we innovate, design, build, and integrate solutions that deliver measurable results.

**MPI**  
**=**  
**ROI**

