

THE LEADING MANUFACTURER OF
WAX-ROOM EQUIPMENT
WORLDWIDE

MPI

11-3

PASTE CONVERSION

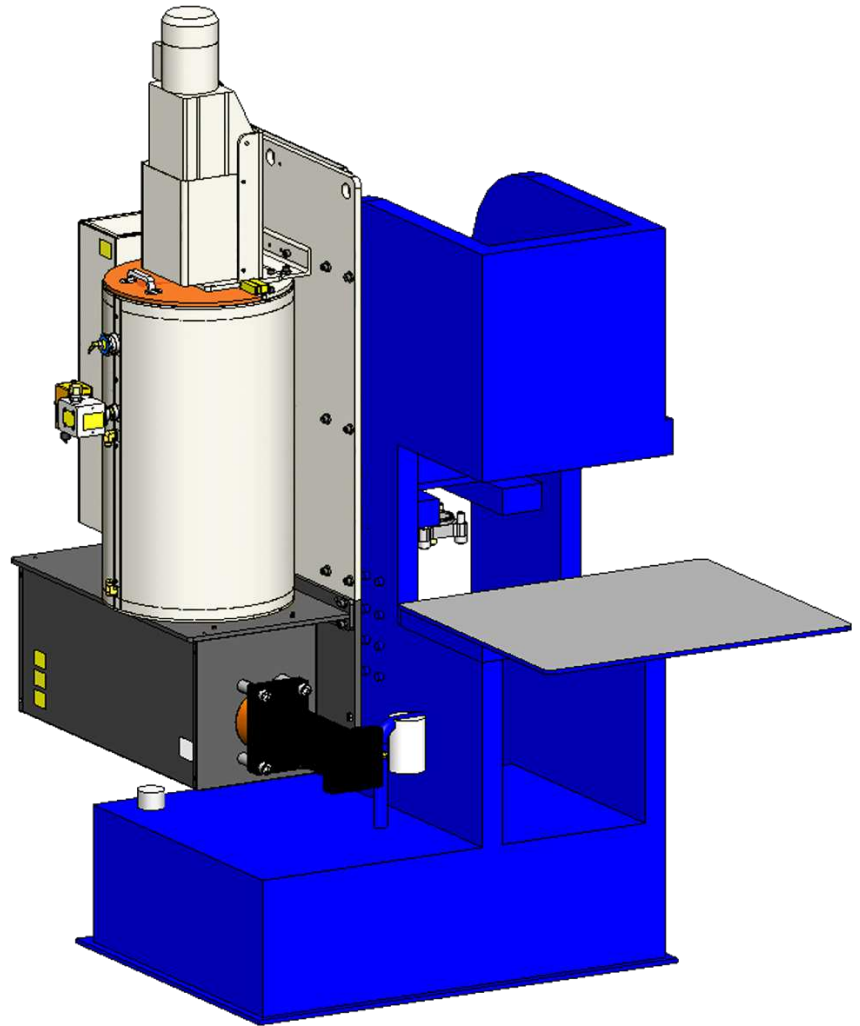
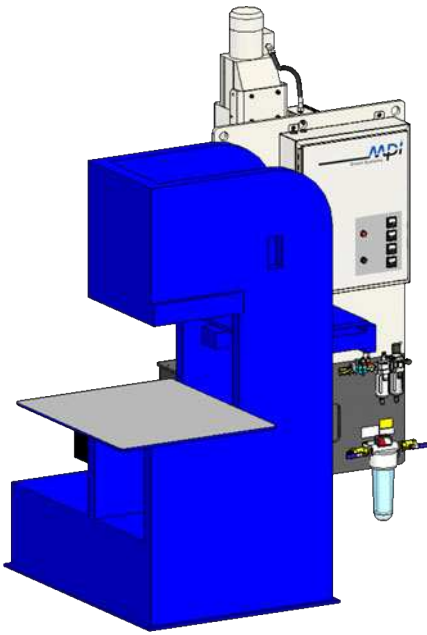
Add Paste Injection to any wax injector



C-Frame Conversion shown

- ✓ Upgrade your injector to MPI's PASTE WAX INJECTION SYSTEM
- ✓ Accurately controls wax temperature for unsurpassed pattern quality
- ✓ A cost-effective alternative to replacing your entire machine
- ✓ Converts both C-Frame and 4-Post Injectors

Improve the process control of your existing wax injection machine. This converts any injection machine from liquid to paste, increases wax pattern productivity an average of 100%.



Innovative Features & Options:

MPI's Paste Injection System

- Wax Conditioning unit accurately conditions wax to any viscosity from liquid to paste
- The most accurate wax temperature control available on the market ($\pm 2^{\circ}\text{F} \pm 1^{\circ}\text{C}$)

Interfaces to the controls of the existing machine

- Adapts to any hydraulic system

Injection Cylinder Capacities

- 150 in.³ (2.5l) single shot capacity
- 400 in.³ (6.5l) single shot capacity
- 1130 in.³ (18.5l) single shot capacity

Options

- Wax re fill valve
- Wax meter, machine mounted
- Wax meter with vacuum pellet loader, machine mounted
- Nozzle Positioner and Flex Noz[®] Injection Nozzle

***Call MPI for a solution
designed for your machine***

